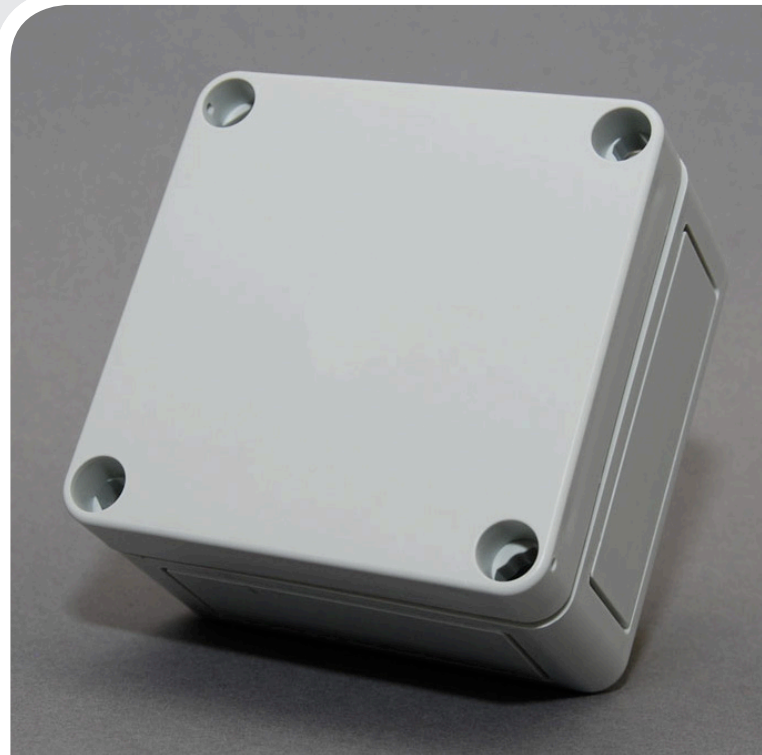


PRE4204 IP66 External Microwave Sensor

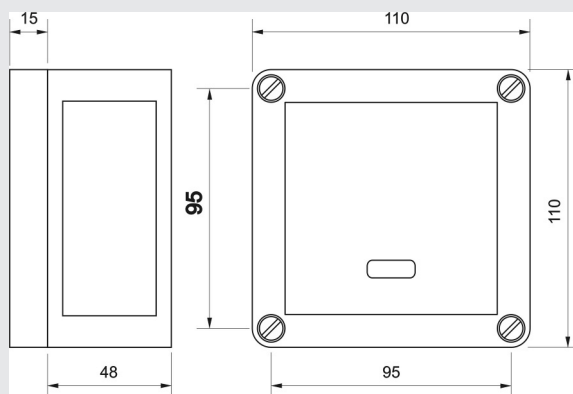
Prefect Product File



Key features.

- SUPPLY VOLTAGE 220-240 Volts AC 50 Hz
- Load: 10A of lighting and or ventilation including incandescent, fluorescent, compact fluorescent, compact fluorescent, low voltage (switch primary of transformer).
- TIME OUT PERIOD Adjustable 10 seconds to 99 minutes.
- LIGHT LEVEL Optional adjustment by Programming handset-PRE5901 & PRE5903.
- TERMINAL CAPACITY 2.5mm²
- IP RATING IP 66
- MATERIAL Polystyrene
- TYPE Class 2
- TEMPERATURE -10°C to 35°C
- CONFORMITY 2004/108EC LVD-2006/95/EC

The PRE4204 is an IP66 rated easy to fit, cost effective microwave detector. This microwave presence detector has the same operation as PRE4201 giving a full 10 metre (2.8m height) detection range, but the unit is mounted in an IP66 rated enclosure making it ideal for external lighting applications.



Prefect Controls specialize in the automatic control of heating, lighting, and ventilation systems. We offer simple, energy efficient solutions which will save money on heating and lighting in new buildings and in existing properties. Why pay higher gas and electricity bills than you need to? **Call us to see how we could help you to cut your energy costs by up to 50%**

For further details contact **Glen Golding** on: 01787 320 604

Cleverly simple control of energy...

Prefect Controls Ltd Unit 2, Church Field Business Park, Church Field Road, Sudbury, Suffolk, CO10 2YF
 Tel: 01787 320 604 Fax: 0845 450 3020 Email: mail@prefectcontrols.com Website: www.prefectcontrols.com
 Due to our policy of continuous improvement, we reserve the right to change specifications without notice

RoHS Compliant

