

Atlantic Controlled Panel Heaters

0.5KW, 1.0KW, 1.5KW & 2.0KW

Prefect

Prefect Product File

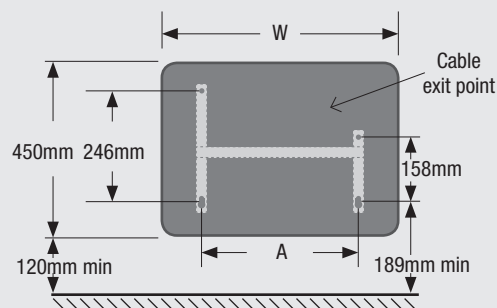


Key features.

- Rating (at 230V AC)
- Safety overheat thermostat
- IP24 Rated
- Adjustable thermostatic controls
- Slim design
- Silent operation
- 5 Year warranty



The attractive slim design hides a reliable robust and energy efficient heater. The Cross flow element allows maximum air flow giving the heater a fast "heat up" time whilst the automatic thermal safety cut-out protects against overheating should the outlet grill become covered. Complete with mechanical thermostatic controls. The simple clip mounting bracket makes for easy installation, whilst making redecoration behind the unit in the coming years, simple.



Model	Wattage	Height (mm)	Width (mm)	Depth (mm)	A (mm)
513105	500W	450	370	98	121
513110	1000W	450	445	98	195
513115	1500W	450	590	98	343
513120	2000W	450	740	98	491
513125	2500W	450	890	98	635

Prefect Controls specialize in the automatic control of heating, lighting, and ventilation systems. We offer simple, energy efficient solutions which will save money on heating and lighting in new buildings and in existing properties. Why pay higher gas and electricity bills than you need to? **Call us to see how we could help you to cut your energy costs by up to 50%**

For further details contact **Glen Golding** on: 01787 320 604

Cleverly simple control of energy...

Prefect Control LTD Unit 2, Church Field Business park, Church Field Road, Sudbury, Suffolk, CO10 2YF
 Tel: 01787 320 604 Fax: 0845 450 3020 Email: mail@prefectcontrols.com Website: www.prefectcontrols.com
 Due to our policy of continuous improvement, we reserve the right to change specifications without notice

RoHS Compliant

