

Atlantic panel heaters

SPECIFICATION:

SUPPLY VOLTAGE: 220-240 Volts AC 50 Hz

AVAILABLE HEATER SIZES: 0.5KW, 1KW, 1.5KW, 2KW

WARNING:



Caution, hot surface. **WARNING:** Some parts of this product may become very hot and cause burns on contact. Special care must be taken if children and vulnerable adults are present.

Caution: For safety reasons, and to avoid overheating, do not cover the heating appliance.



Appliances carrying this symbol must never be disposed of with household waste, but must be collected separately for recycling. At the end of their life, products must be collected and recycled according to local regulations and ordinances.

When an appliance is installed at a higher altitude, the air output temperature rises (around 10°C per 1000m rise in ground).

WARNING: this heating unit must only be connected to the supply via a Prefect control which complies with EU regulation 2015/1188 Lot 20.

- Children under 3 years must be kept away from this appliance, unless they are constantly supervised.
- Children between 3 and 8 years should only switch on or off the heater provided that the appliance has been placed or installed in a normal position and that these children have supervision or have received instructions regarding the use of the machine safely.
- This heater can be used by children upper 8 years, or by people of reduced physical, sensory or mental capacity, if supervised. correctly or instructions for using the appliance safely given to them and if the risks were apprehended.
- This appliance may only be plugged in or connected by an authorized person, according to valid regulations and rules.
- Do not use the appliance if the power cable is damaged.

INSTALLATION:

- The heater must be installed in accordance with professional standards, and comply with the regulations in force in the country of installation.
- The appliances are class II, and protected from water splashes, to IP 24. They may therefore be installed in volume 2 of shower rooms (see Fig 1). It must be impossible for anyone using the shower or bath to reach the appliance's controls.
- See Fig 2 for minimum distances to obstacles when positioning the heater.

Do not install the appliance:

- Underneath a fixed mains socket.
- In volume 1 of bathrooms.
- Near curtains or any flammable materials.
- The air outlet must be visible at the top of the appliance.

Fig 1

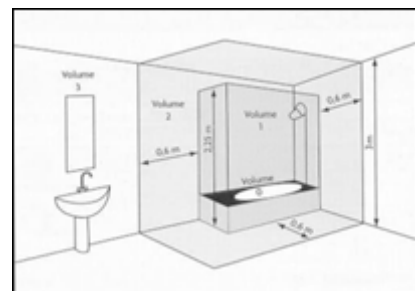
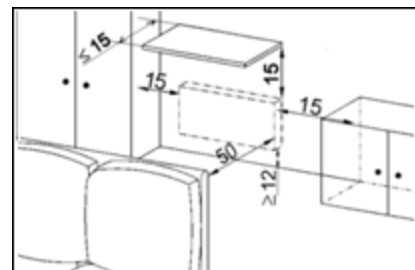


Fig 2

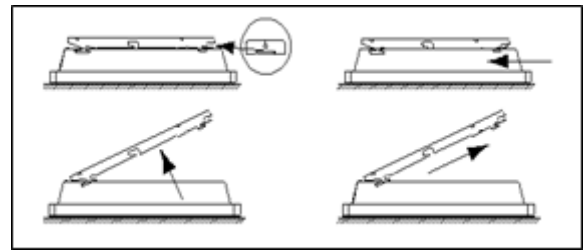


INSTALLATION - FIXING:

Releasing the Heaters bracket latching bar:

- Place the heater flat on level ground facing down, take care not to damage the heater.
- Use a flat blade screwdriver to raise the tongue at the top of the bracket. Take care not to raise the tongue to far as this will result in damage to the bracket. Whilst holding the tongue raised in the up position slide the bracket downwards towards the base of the heater to release the top latches.
- Pivot the bracket up and remove from the heater.

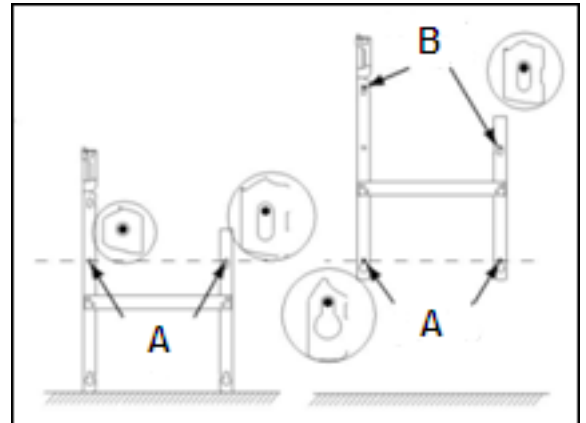
Fig 3



Fixing the heater bracket:

- Place the latching bar on the floor upright against the wall locate drilling holes A (see Fig 4), These show where the lower fastenings need to be located for the correct heater height.
- Lift the bracket aligning it with drilling point A to locate the B drilling points.
- Drill the A and B drill holes and insert suitable plugs if required.
- Locate the bracket and fix in place with suitable fixings.

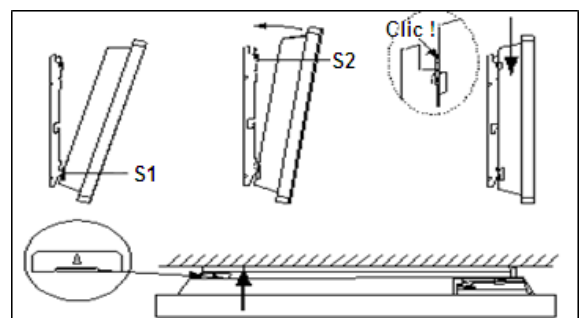
Fig 4



Locating the Heater onto the bracket:

- Locate the heater onto the lower latches of the bracket, the heater must be located at a 30° angle to locate into the lower latch, once the lower latches are located pivot the heater parallel to the fixing surface and locate the top latches, once the top latches are located slide the heater downwards until a click is heard indicating the heater is properly latched into place.

Fig 5



Releasing the heater from the fixed position:

- To release the heater from the bracket, use a flat bladed screwdriver to lift the latch tongue (see fig 5) away from the heater towards the fixing surface. Take care not to bend the tongue too far. With the tongue in the lifted position lift the heater upwards and then pivot away from the fixing surface by 30° and then lift the heater away from the bracket.

INSTALLATION - ELECTRICAL CONNECTION:

The power supply to the appliance is 220/230V, 50Hz/60Hz.

- The panel heater must be connected to the mains by a 2-wire cable (Brown= Live, Blue = Neutral) by means of a Switched fused spur.
- In humid areas such as bathrooms and kitchens the power socket must be installed at least 25 cm above the floor. The installation should be fitted with a double pole break device with a break of at least 3 mm.
- The Heater must not be connect to the earth.
- The appliance must be installed by a professional (a qualified electrician) in accordance with the regulations in force in United Kingdom.
- The “no control appliance” Must be installed with a suitable thermostat for example the PRE2000 or PRE5003.
- When fitted in conjunction with an external thermostat as suggested above the thermostat should be mounted at least 300mm away from the heater, and protected from artificial heat sources for example: Desktop computers, TV's, Desk lamps etc. The Thermostat should be mounted at chest height or mounted in the dado trucking above the workstation. Mount in a 25mm or greater back box.

MAINTANCE:

- Before undertaking any Maintenance ensure the heater is isolated from the electrical supply.
- To maintain performances of the heater, you should clean the upper and lower grills of the unit twice a year using a vacuum cleaner or a soft bristle brush.
- Have a professional check the inside of the unit every five years. Dirt may collect on the grids of the unit if the atmosphere is polluted. This phenomenon is due to the poor quality of the ambient air. In this case, it is recommended to check that the room is well ventilated (ventilation, air inlet, etc.), and that the air is clean. The unit will not be replaced under the guarantee because of this type of dirt. The unit casing should be cleaned with a damp cloth, never use abrasive products.

TROUBLESHOOTING:

The device does not heat:

- Make sure that the installation circuit breakers are switched on and there is suitable power present at the heater supply cable.

The unit is permanently heating:

- Make sure that it is not in a draft and that the temperature setting has not been changed.
- When using the heater in conjunction with an external thermostat ensure the ambient room temperature is not lower than the set temperature of the thermostat.
- If necessary isolate the electrical supply to the heater and contact a professional.

The heaters surface is very hot:

- It is normal for the heaters surface to become very hot during normal operation, the maximum surface temperature is limited in accordance with standards.

WARRANTY CONDITIONS:

KEEP THIS DOCUMENT IN A SAFE PLACE

(This certificate should only be produced if you are making a complaint, attached with the invoice of the purchase)

- This guarantee is applicable for 5 years from the date of original purchase and shall be valid for no more than 30 months from the date of manufacture.
- The warranty covers the replacement and supply of accepted defective parts except damages and interest components.
- Labour costs, travel and transportation are under the responsibility of the user.
- Damage linked to an improper installation, to a supply network not complying with standards, to an abnormal using or to the non-compliance to the instructions of the manual are not covered by the warranty.
- Present this certificate only in case of claim with your distributor or installer attaching your invoice.
- The provisions of these warranty conditions are not exclusives of benefits for the purchaser of the legal guarantee for defects and hidden defects that apply in any case in terms of articles 1641 and following of the Civil Code.

* This information is shown on the plate which can be seen on the left-side or behind the front grille of the unit

	A Serial number B Commercial reference
--	---

Type of device *	
Serial number *	
Name and address of the customer *	