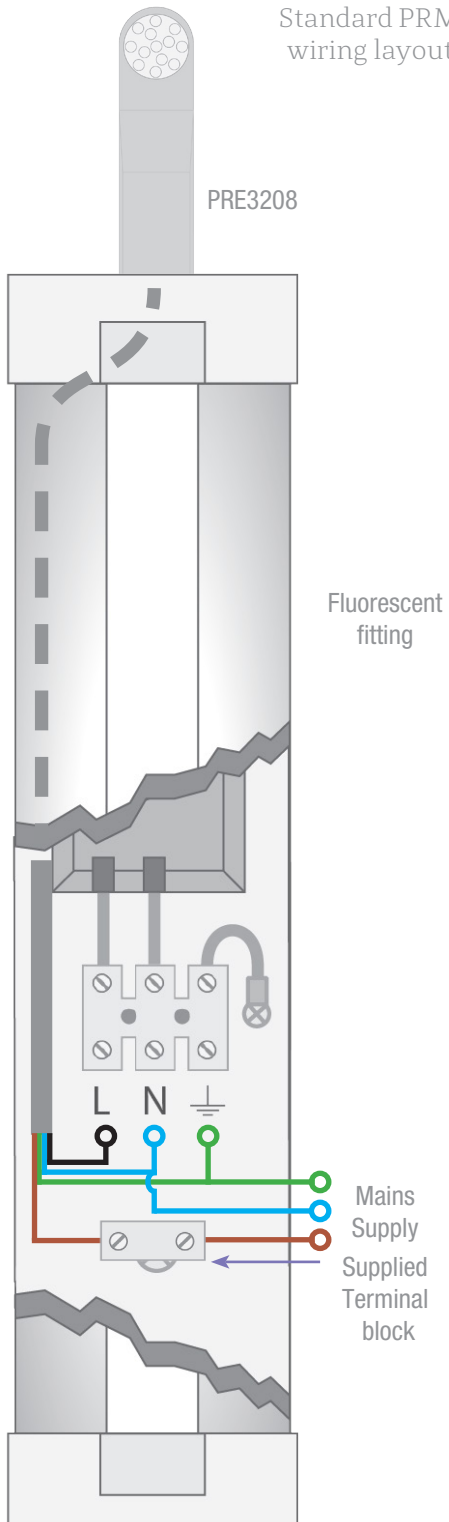


Avoid direct sunlight entering the sensor. The product is designed to be mounted directly to the outside of the luminaire. The detector should be sited so that occupants fall inside the detection pattern (See product instructions). Do not site within 1 metre of forced heating/cooling ventilation. Note that the lower the sensor is mounted the smaller the detection range will be.

WARNING!

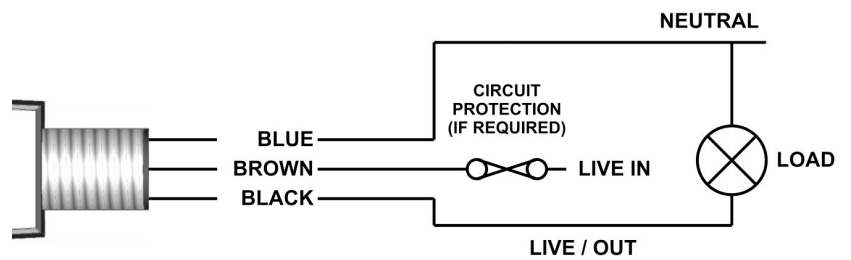
Do not grip the unit at the lens end. Hold the square body near the threaded end when installing and tightening the nut. Care must be taken to prevent damage to the lens and surrounding IP lens seal.

Standard PRM wiring layout:

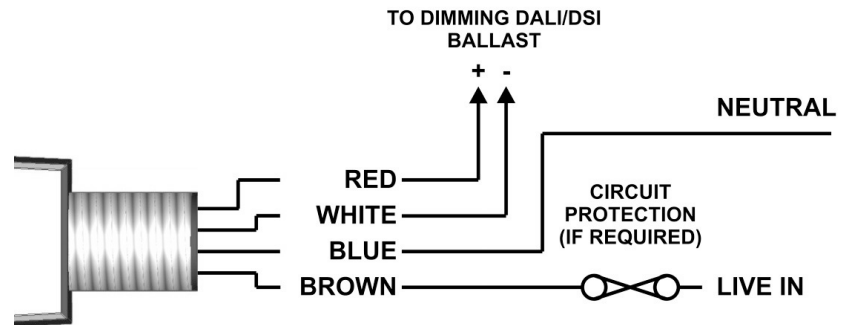


Wiring diagrams:

PRE3208-PRM wiring diagram:



PRE3208-DD wiring diagram:



PRE3208-AD wiring diagram:

