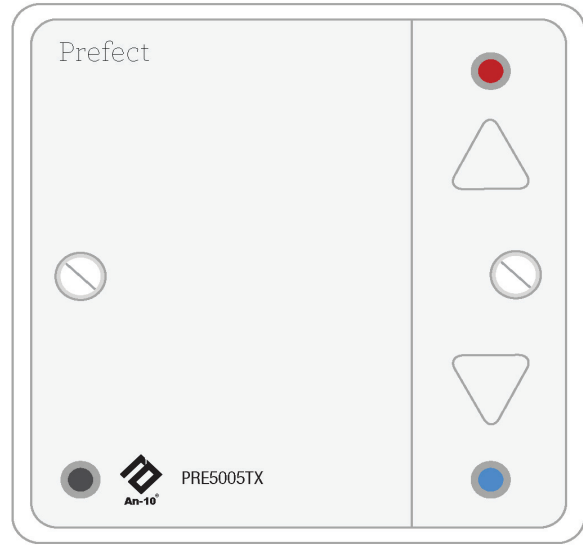


PRE5005TX/RX RF Thermostat with user adjust & remote Programming



Specification:

SIZE: TX STANDARD 1 GANG. REQUIRES MINIMUM 16MM BACK BOX, RX STANDARD 1 GANG. REQUIRES A MINIMUM 35MM BACK BOX.

TEMPERATURE/TIME RANGE: COMFORT TEMPERATURE (BOOST) 0 C TO 30 C, TIME TO SET-BACK 0 TO 999 MINUTES SET-BACK TEMPERATURE 0 TO 30 C.

ADJUST METHOD: AUTO LOCK SYSTEM

ELECTRICAL SPEC: 220-240V AC 50HZ

LOAD: 16A Resistive

CONNECTIONS: Live in, Common, Normally open, Neutral

INDICATORS: TX Red LED-Boost temperature, Blue LED- Decrease temperature. RX Green LED-Power on.

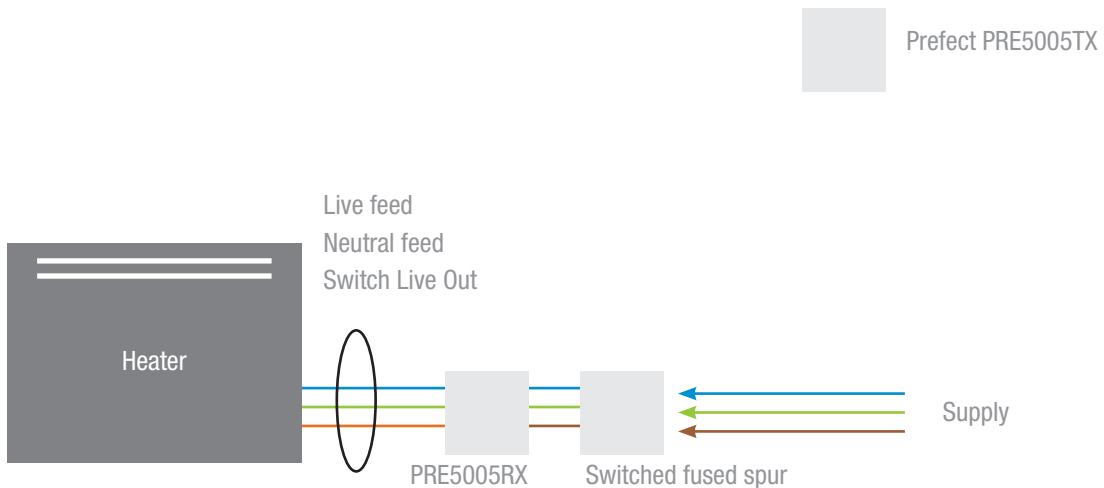
CONFORMANCE: EMC-89/336EEC. LVD - 73/23/EEC CE approved.

POSITIONING: Mount the TX unit no lower than 1.5 Meters ideally mount at chest height. Position at least 300mm away from the side of the heater. Mounting the TX less than 300mm from the heater will result in the thermostat incorrectly reading the room temperature. Do not mount the TX unit close to any extraneous heat sources for example Fridges, Large TV's and any other electrical devices that emit high levels of heat. Mount the RX close to the unit which is to be controlled. The RX unit is not affected by extraneous heat sources.

IMPORTANT NOTICE! This device should be installed by a qualified electrician in accordance with the latest edition of the IEE wiring regulations.

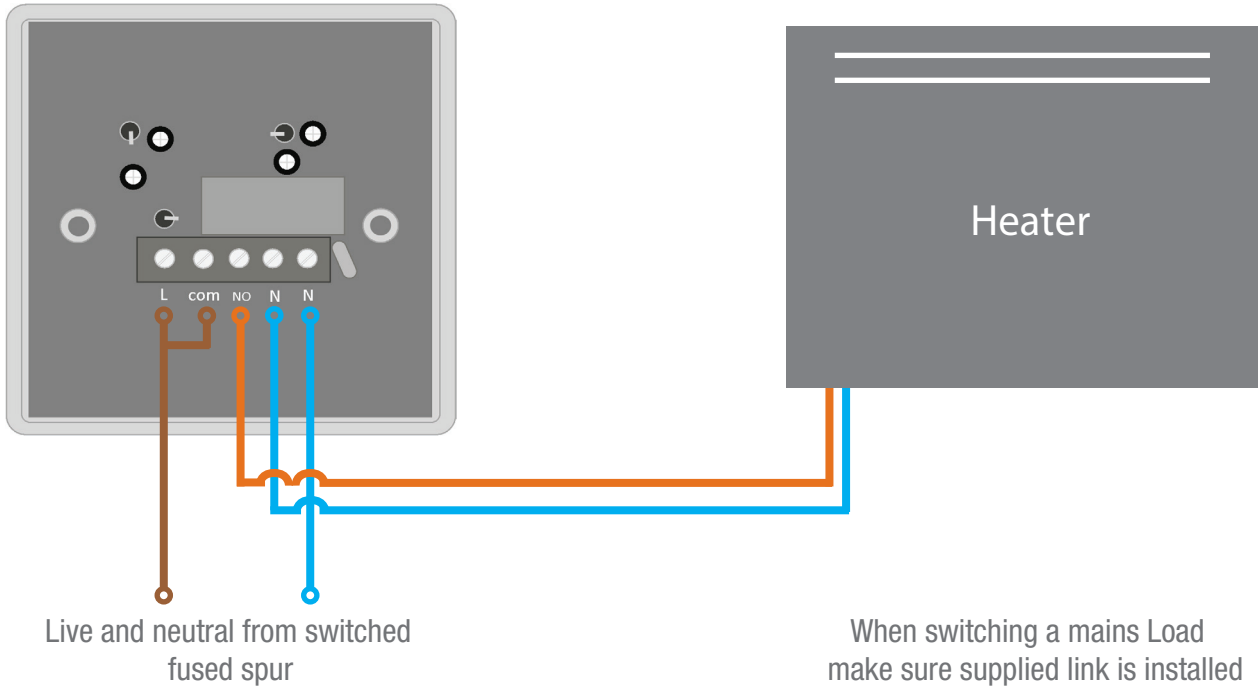
PRE5005TX/RX RF Thermostat schematic wiring diagram

FIG 1



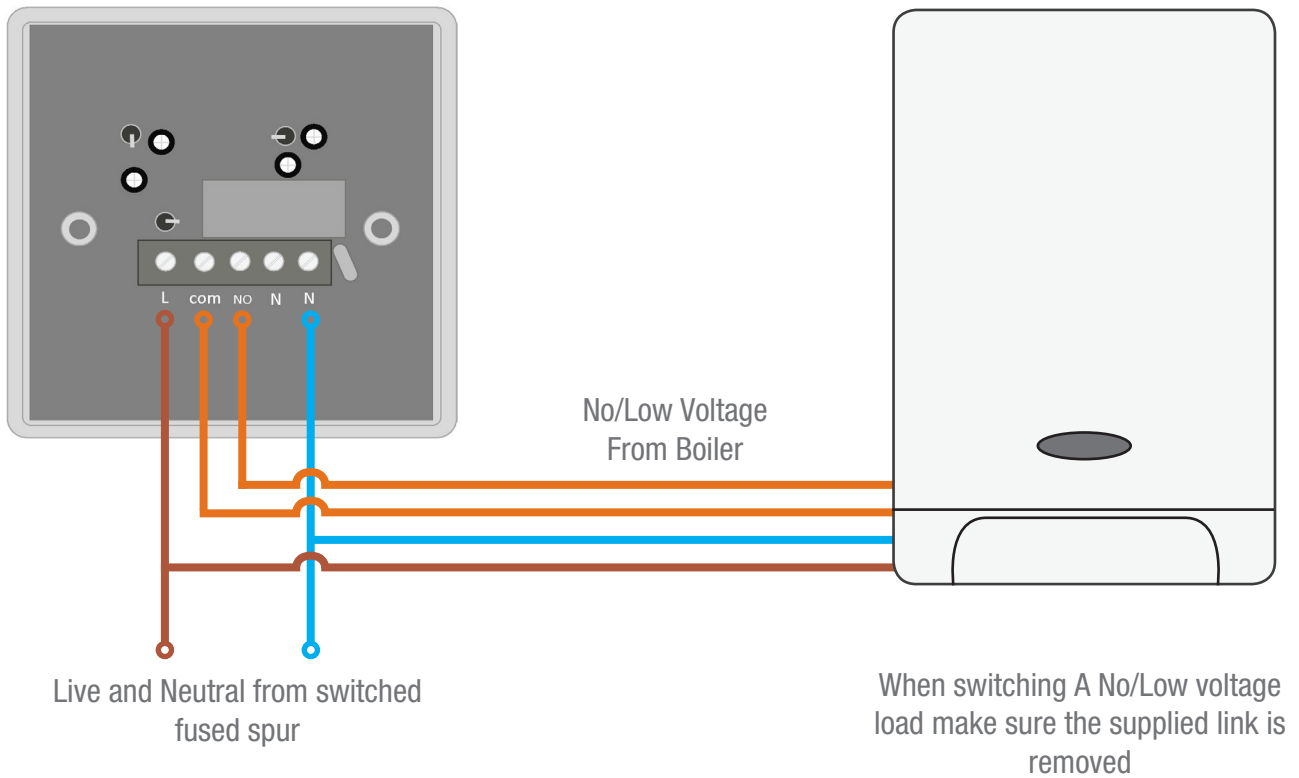
Wiring Diagram
Typical resistive load

FIG 2



Wiring Diagram
Typical No/Low Voltage connection

FIG 3



Unit description:

The PRE5005TX/RX is designed to maintain the room temperature at a customer preset level when the unit is activated. To activate the unit simply press the up button once.



Installation Instructions:

The PRE5005TX/RX is supplied as two items. "TX" is the battery powered thermostat and the "RX" is the mains driven receiver unit.

1. Position the RX unit close to the heater or boiler (refer to Fig 1) that the unit is to control.
2. Electrically connect the RX receiver unit to a suitable isolatable supply. Using FIG 2 connect the incoming supply and outgoing supplies as per the diagram. If connecting to a boiler that has its own OV or low voltage switching supply, remove the wire link and connect as per FIG 3. If the unit is to be used with a standard resistive heater leave the wire link in place.
3. Once all of the wiring is complete power up the RX unit, the units red LED will flash once with the power light illuminated.
4. Now turn your attention to the TX transmitter, the unit comes complete with a CR123A Lithium Cell battery. Fit the supplied cell into the battery holder on the TX unit ensuring that the battery polarity is correct. The Red and Blue Led's will illuminate when the up or down buttons are pressed.



Pairing the units:

The TX transmitter now needs to be paired with the RX Receiver, to do this you will need to follow a sequence of button presses, you will also need to be within reach of the RX unit as the pairing code is transmitted by infra red through the two small windows located on the bottom left hand corner on each of the products. Firstly you need to put the TX unit into setting mode, this is achieved by holding down both buttons for a 5 second period. At that point the lower blue LED will begin to flash, release both buttons and follow the sequence of button presses listed below:

- Top , Top
- Bottom, Bottom,
- Top, Top
- Bottom, Bottom.

The sequence needs to be completed within 30 seconds of entering the setting mode. The Blue LED will now flash twice in quick succession, point the IR window of the TX Transmitter (lower left hand corner) towards the IR receiver window of the RX receiver (lower left hand corner). The blue LED of the RX will flash repeatedly once it has seen the IR signal from the TX unit. When the blue LED begins to flash on the RX unit press the top button on the TX. Once again align the IR windows. If pairing is successful both LED's will now flash in succession on both the RX and TX units. Once the blue LED on the RX unit stops flashing pairing has been successful. To cancel the TX setting mode press the top button once. The blue LED will continue to flash for a further 5 seconds, once the blue LED has stopped flashing the units are now paired. Other RX receivers can be paired in the same way allowing multiple switching from one TX unit. If the units have been preset to your requirements they are now ready for use.



Temperature and time settings:

The TX thermostat has three presetable temperature settings and two time settings, these settings can be changed and stored in the thermostats non volatile memory. To change the settings you will need to use the PRE5901 handset. Refer to the PRE5901 handset instructions, for temperature settings and manual pairing.

