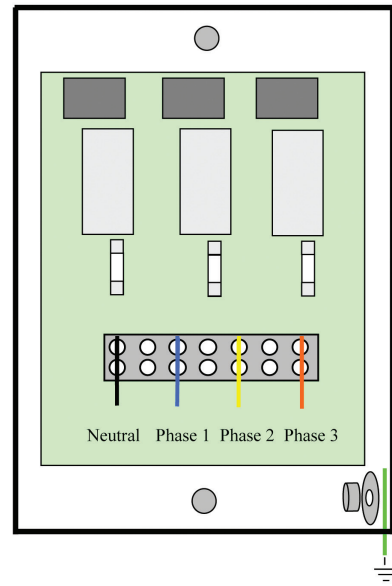


PRE9100 Phase Coupler[®]



Important - This unit must be earthed

DIMENSIONS: H 190mm
W 110mm
D 60mm

COLOUR: Natural die-cast aluminium

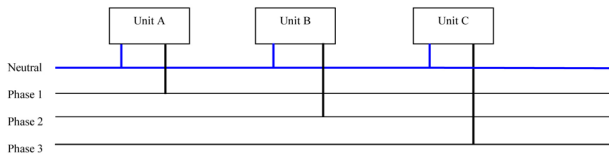
1. Remove lid.
2. Fix the phase coupler to the wall using the screw holes located at the top and bottom of the unit.
3. Connect the neutral and phases as above.
4. Connect the earth to the earthing post.
5. Replace lid using all six screws.

Important: The supplies to this phase coupler must be connected via a 3 way isolating switch.

Notes: This unit must be connected by a suitably qualified person in accordance with the IEE wiring regulations in force at the time.

The phase coupler draws only 75mA per phase. It may be connected using 1mm cable.

Notes for installing mains borne signalling control equipment in a 2 or 3 phase environment



The PRE9100 still retains electrical isolation between phases, and is designed for mains borne control systems operating at around 130kHz. Housed in a robust die-cast aluminium enclosure, the unit must be connected to the supply via a local 3pole isolation switch.

With the use of a phase coupler, equipment on any of the phases connected to the coupler can communicate with each other.

