



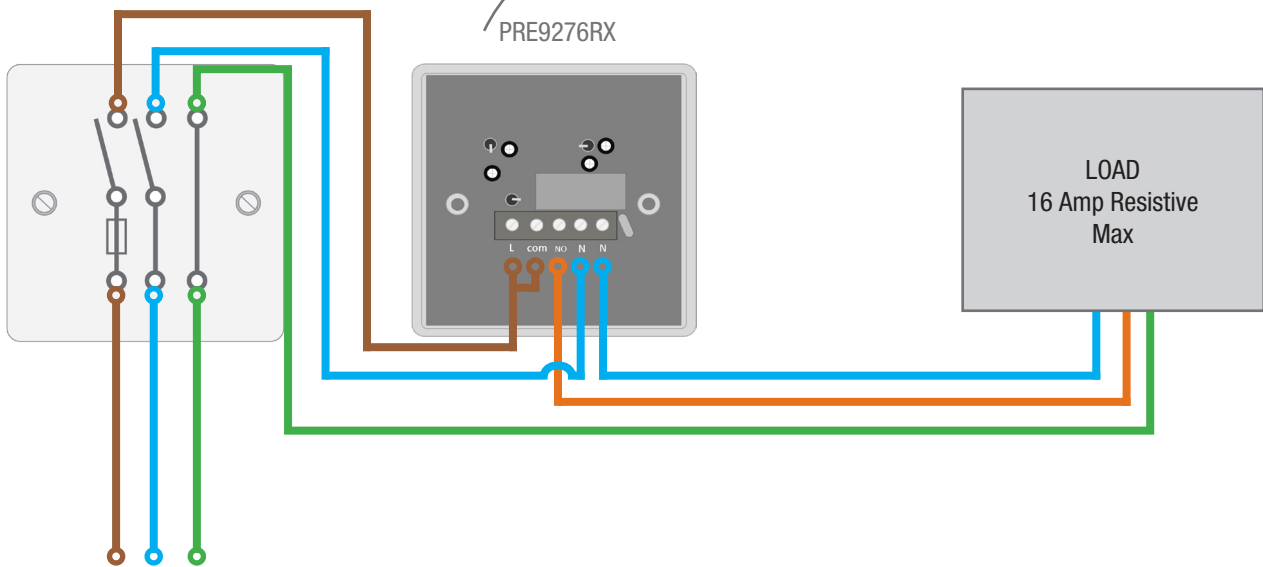
Mount the TX unit at chest height. Mount the RX close to the Main supply of the unit which is to be controlled, Ideally mount next to the consumer unit. When switching 230V AC ensure the link between "Live" and "COM" is fitted.



PRE9276TX



PRE9276RX



Mains supply

When switching a mains load ensure the supplied link is installed

