

PRE9276TX/RX RF Hob Timer with user adjust & remote Programming



Specification:

SIZE: TX STANDARD 1 GANG. REQUIRES MINIMUM 16MM BACK BOX, RX STANDARD 1 GANG. REQUIRES A MINIMUM 35MM BACK BOX.

TIME RANGE: 0 TO 999 M

ADJUST METHOD: AUTO LOCK SYSTEM

ELECTRICAL SPEC: 220-240V AC 50HZ

LOAD: 16A Resistive

CONNECTIONS: Live in, Common, Normally open, Neutral

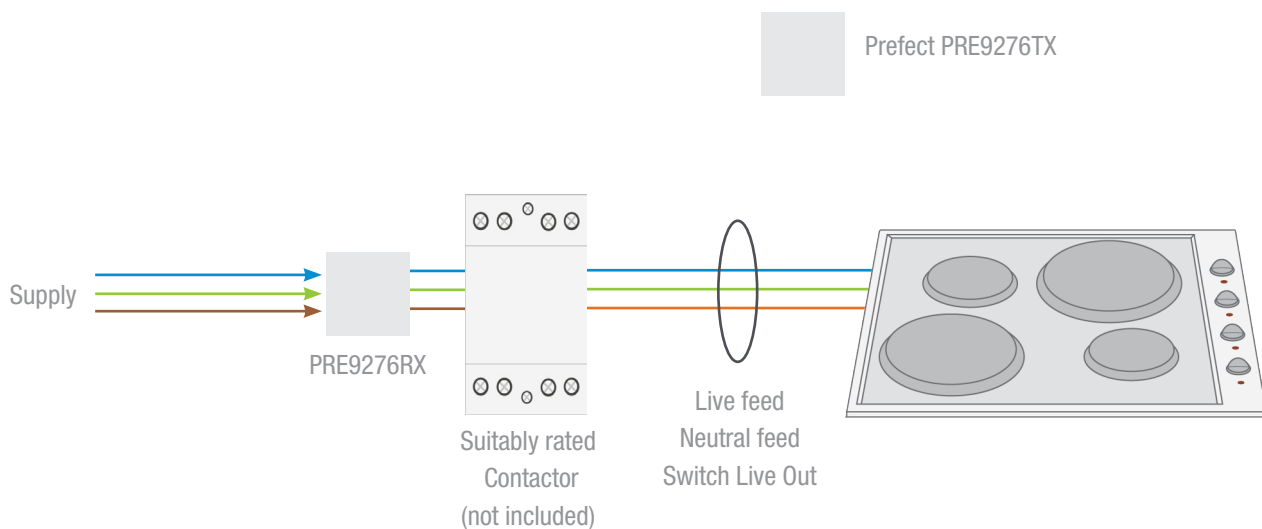
INDICATORS: TX Red LED- On, Blue LED- Off.
RX Green LED-Power on, Red LED- Load on.

CONFORMANCE: EMC-89/336EEC. LVD - 73/23/EEC CE approved.

IMPORTANT NOTICE! This device should be installed by a qualified electrician in accordance with the latest edition of the IEE wiring regulations.

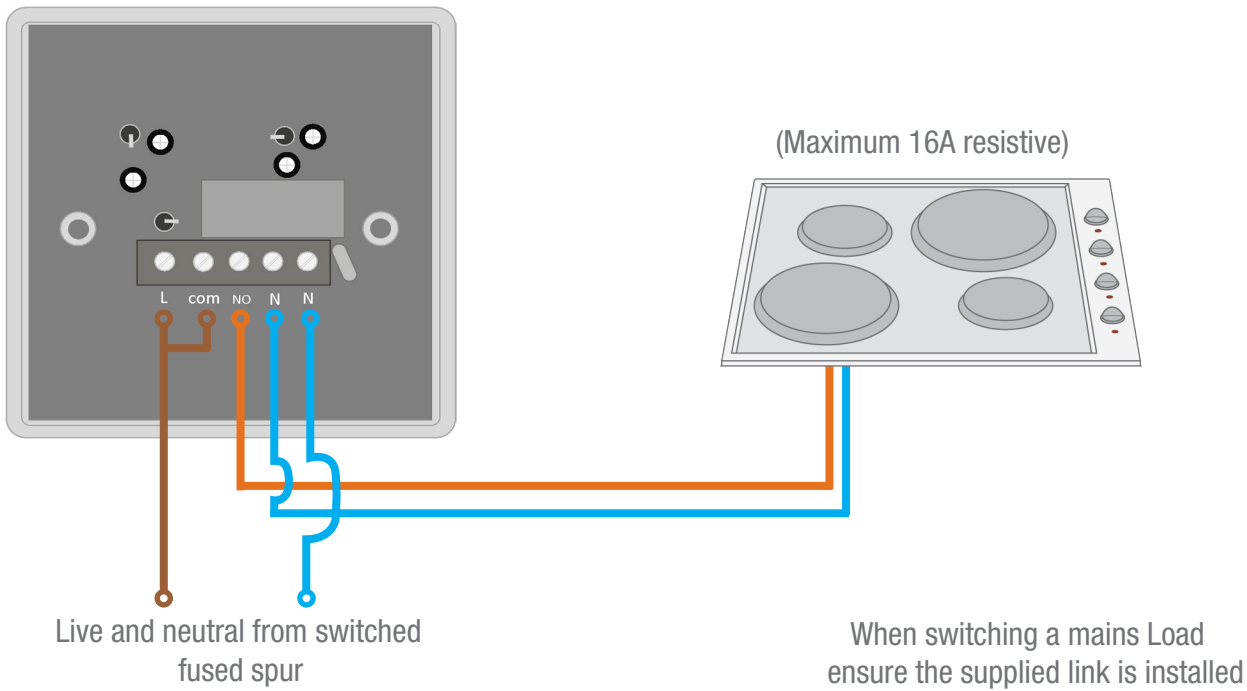
PRE9276TX/RX RF Hob Timer schematic wiring diagram

FIG 1



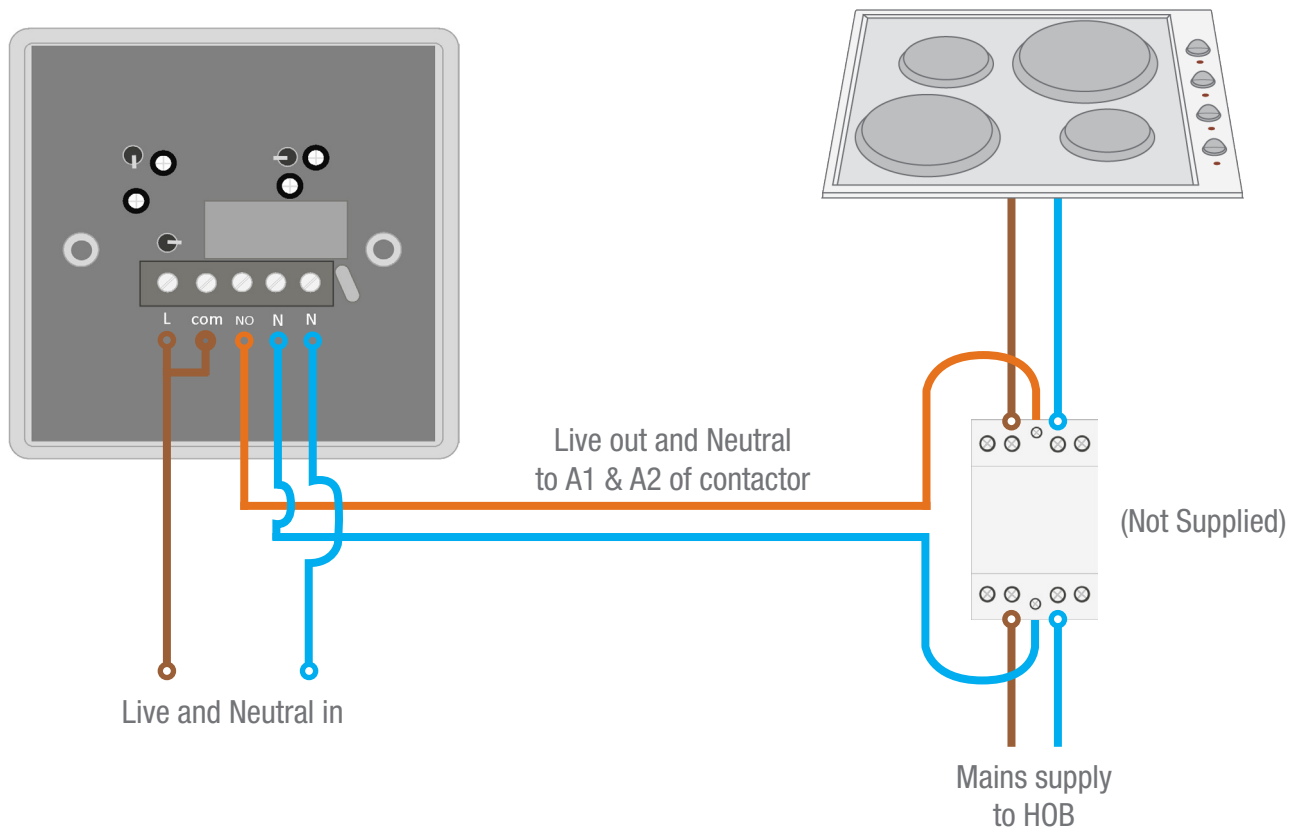
Wiring Diagram Direct Connection of resistive Load

FIG 2



Wiring Diagram Connection through a Contactor

FIG 3



Unit description:

The PRE9276TX/RX is designed to Limit the run time of a hob or other electrical appliances. To activate the unit simply press the up button once to start the run time, press the down button to turn off .



Installation Instructions:

The PRE9276TX/RX is supplied as two items. "TX" is the battery powered switch unit and the "RX" is the mains driven receiver unit.

1. Electrically connect the RX receiver unit to a suitable isolatable supply. Using FIG 2 connect the incoming supply and outgoing supplies as per the diagram.
3. Once all of the wiring is complete power up the RX unit, the units red LED will flash once with the power light illuminated.
4. Now turn your attention to the TX transmitter, the unit comes complete with a CR123A Lithium Cell battery. Fit the supplied cell into the battery holder on the TX unit ensuring that the battery polarity is correct. The Red and Blue Led's will illuminate when the up or down buttons are pressed. Place the TX close to the unit that is to be controlled.



Pairing the units:

The TX transmitter now needs to be paired with the RX Receiver, to do this you will need to follow a sequence of button presses, you will also need to be within reach of the RX unit as the pairing code is transmitted by infra red through the two small windows located on the bottom left hand corner on each of the products. Firstly you need to put the TX unit into setting mode, this is achieved by holding down both buttons for a 5 second period. At that point the lower blue LED will begin to flash, release both buttons and follow the sequence of button presses listed below:

- Top , Top
- Bottom, Bottom,
- Top, Top
- Bottom, Bottom.

The sequence needs to be completed within 30 seconds of entering the setting mode. The Blue LED will now flash twice in quick succession, point the IR window of the TX Transmitter (lower left hand corner) towards the IR receiver window of the RX receiver (lower left hand corner). The blue LED of the RX will flash repeatedly once it has seen the IR signal from the TX unit. When the blue LED begins to flash on the RX unit press the top button on the TX. Once again align the IR windows. If pairing is successful both LED's will now flash in succession on both the RX and TX units. Once the blue LED on the RX unit stops flashing pairing has been successful. To cancel the TX setting mode press the top button once. The blue LED will continue to flash for a further 5 seconds, once the blue LED has stopped flashing the units are now paired. Other RX receivers can be paired in the same way allowing multiple switching from one TX unit. If the units have been preset to your requirements they are now ready for use.



Time settings:

The TX run timer has a settable time of between 0 and 999 Minutes, these settings can be changed and stored in the run timers non volatile memory. To change the settings you will need to use the PRE5901 handset. Refer to the PRE5901 handset instructions, for settings and manual pairing.

